

Schaltbild • Circuit diagramm • Schema du poste • Esquema del aparato

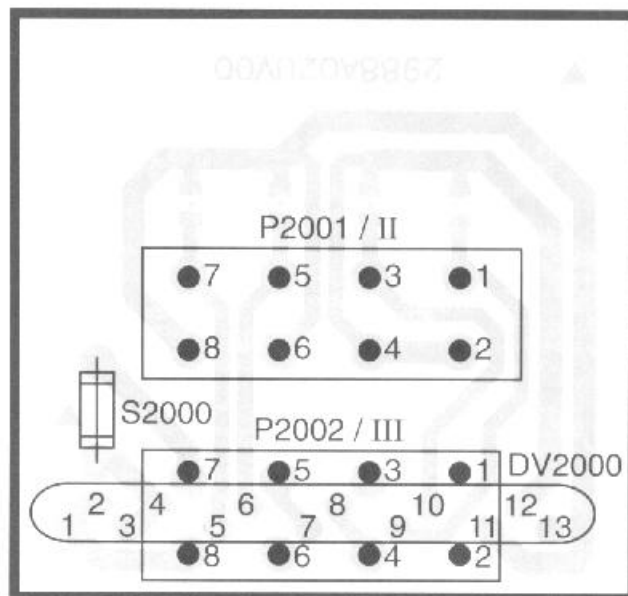
FD 372

**Anschlußplatte  
Connector board**

PL 74



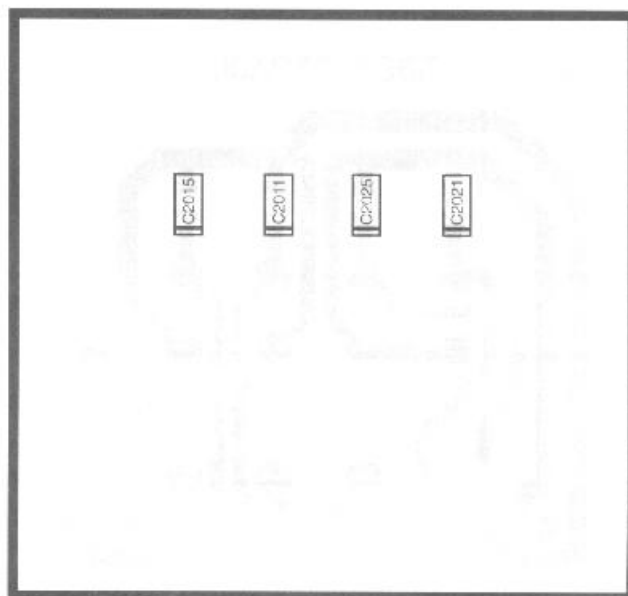
DV2000	
1+2	=GROUND
3+4	=UB
5	=LR
6	=LF
7	=AA
8	=UD
9	=RR
10	=RF
11+12	=NF-GROUND

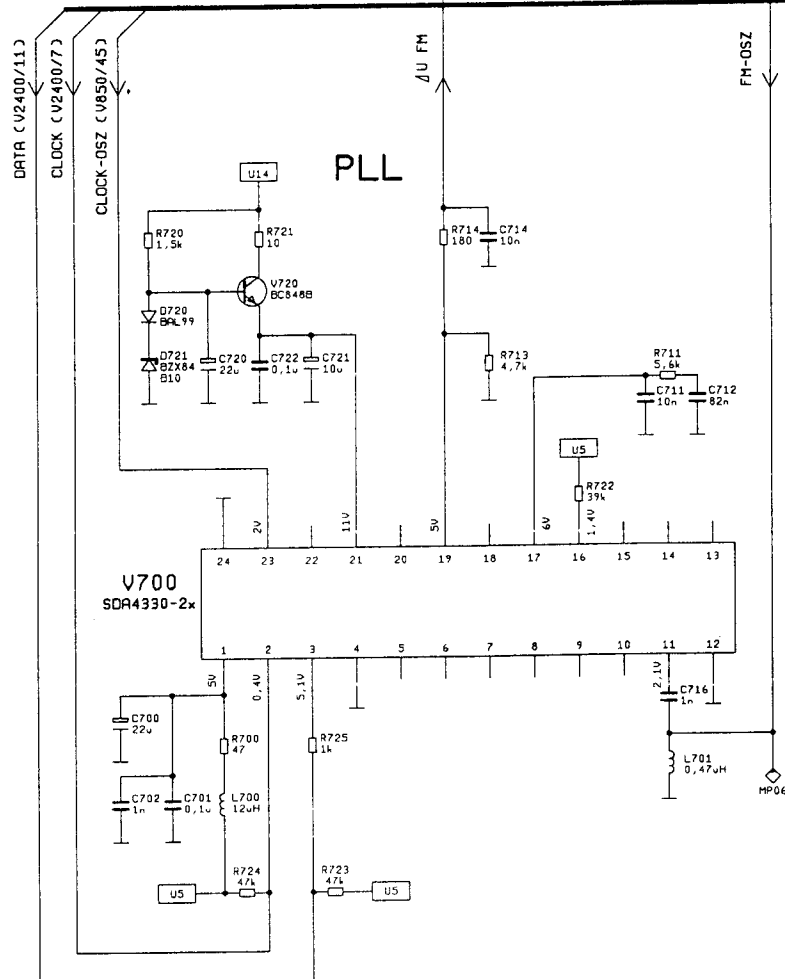
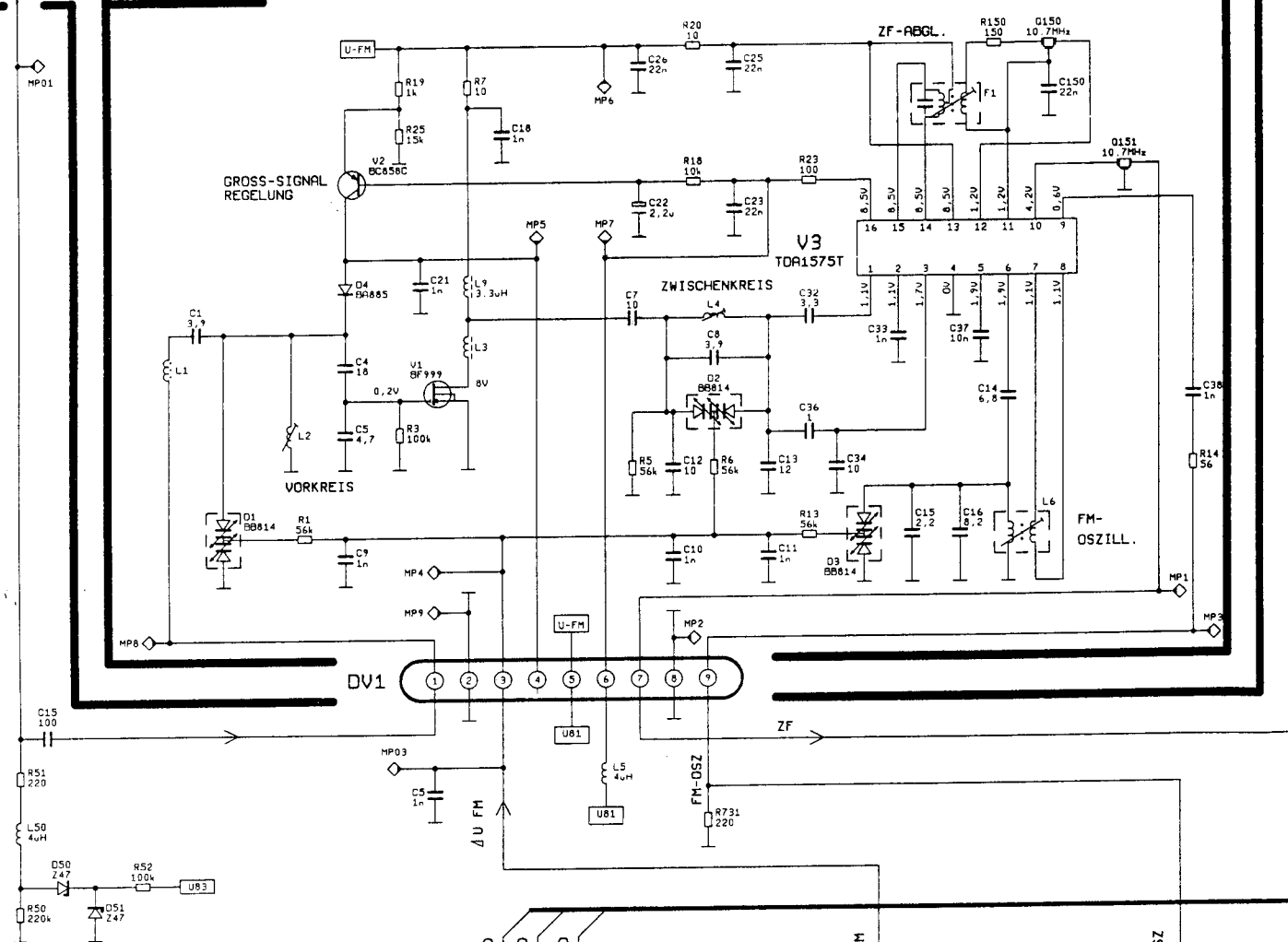


**Anschlußplatte  
Connector board**

PL 74

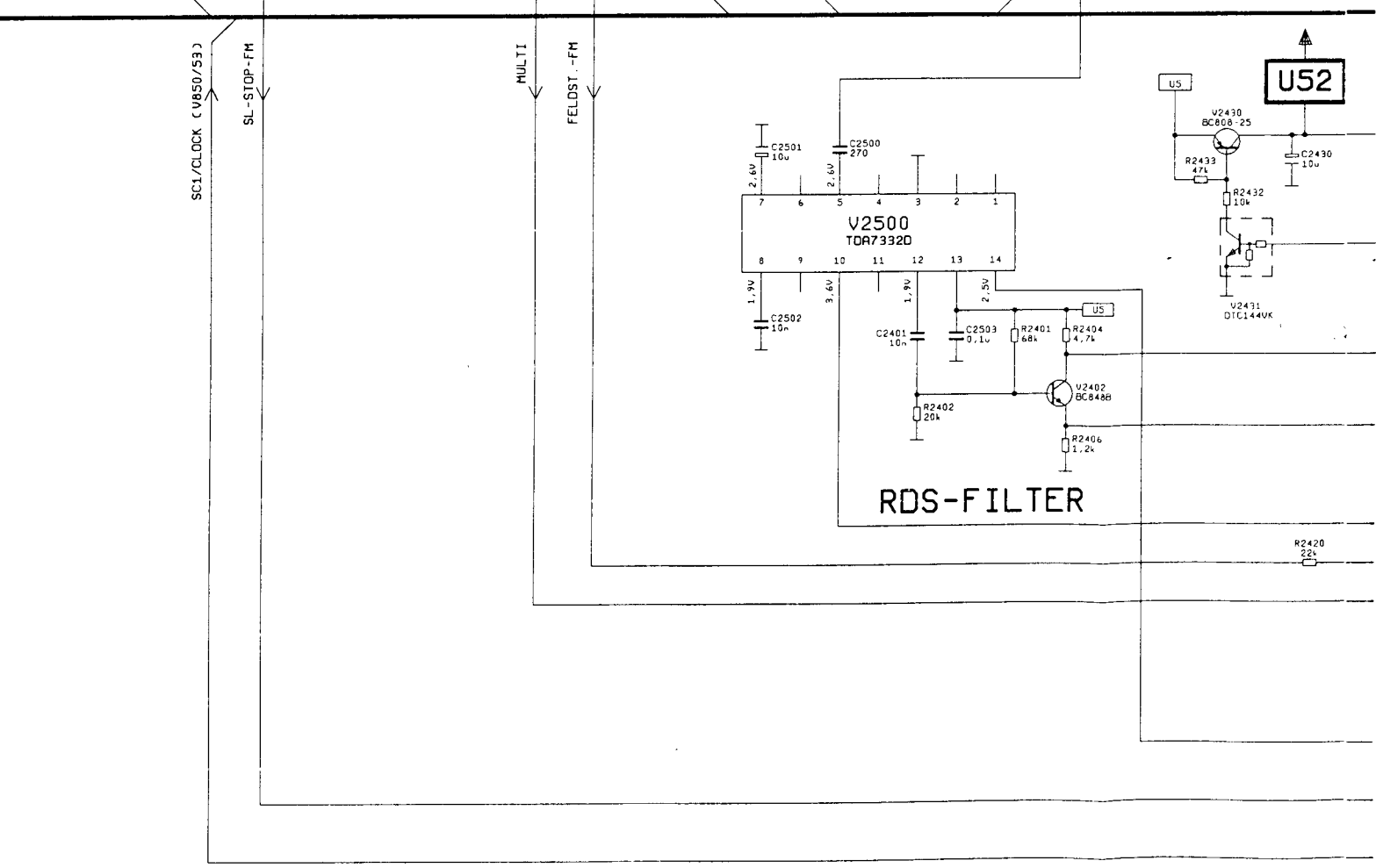
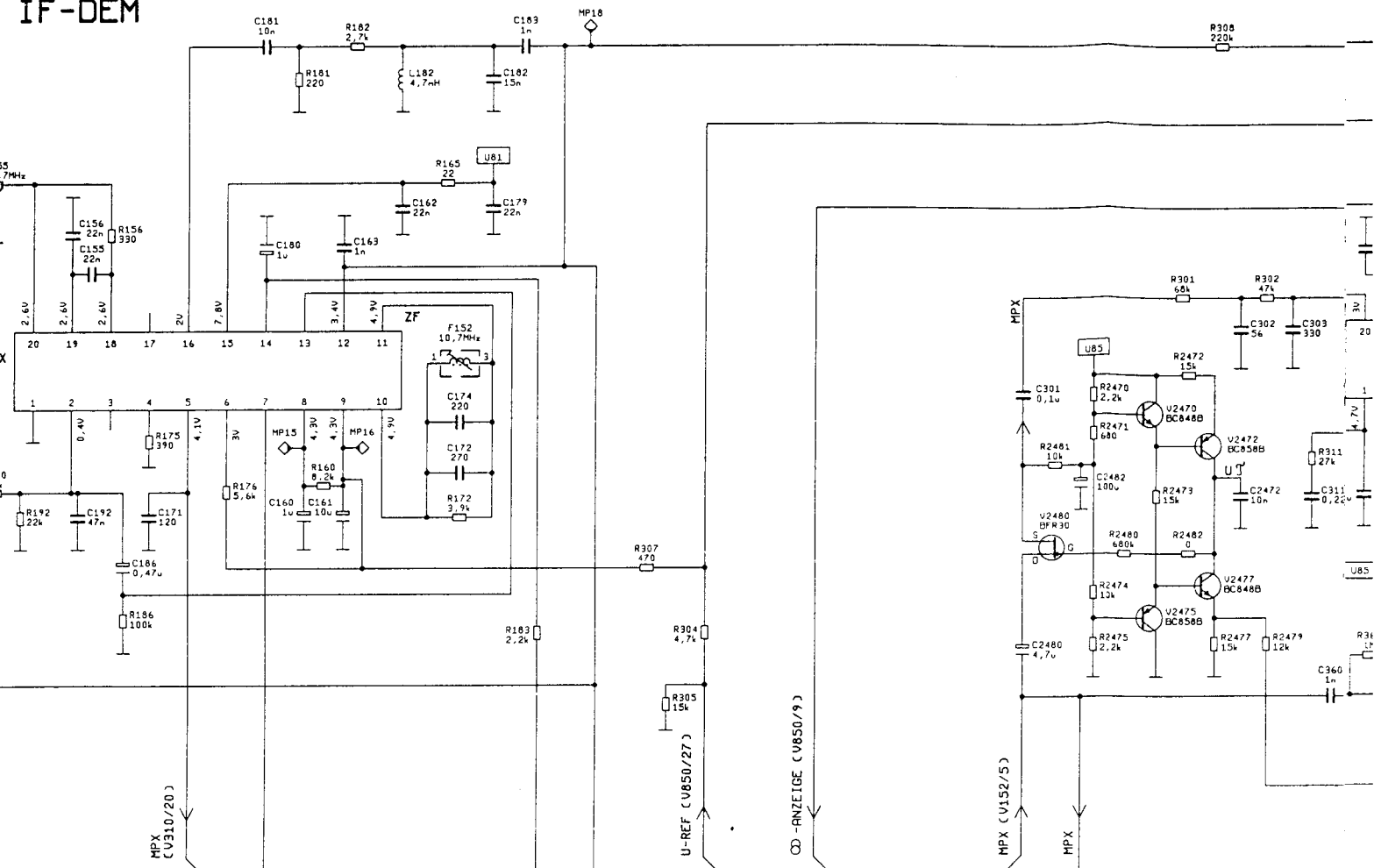
Chip



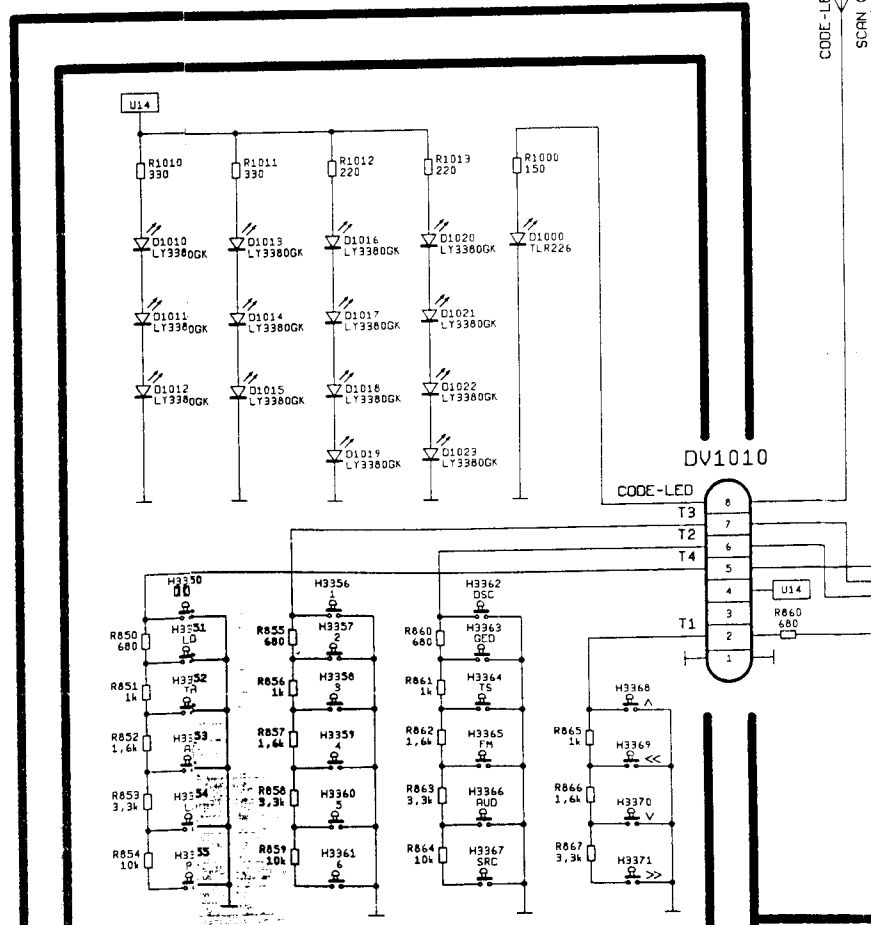
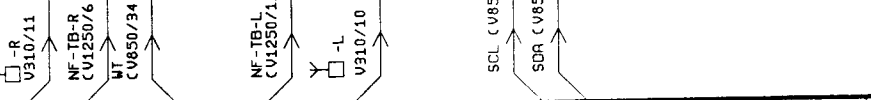
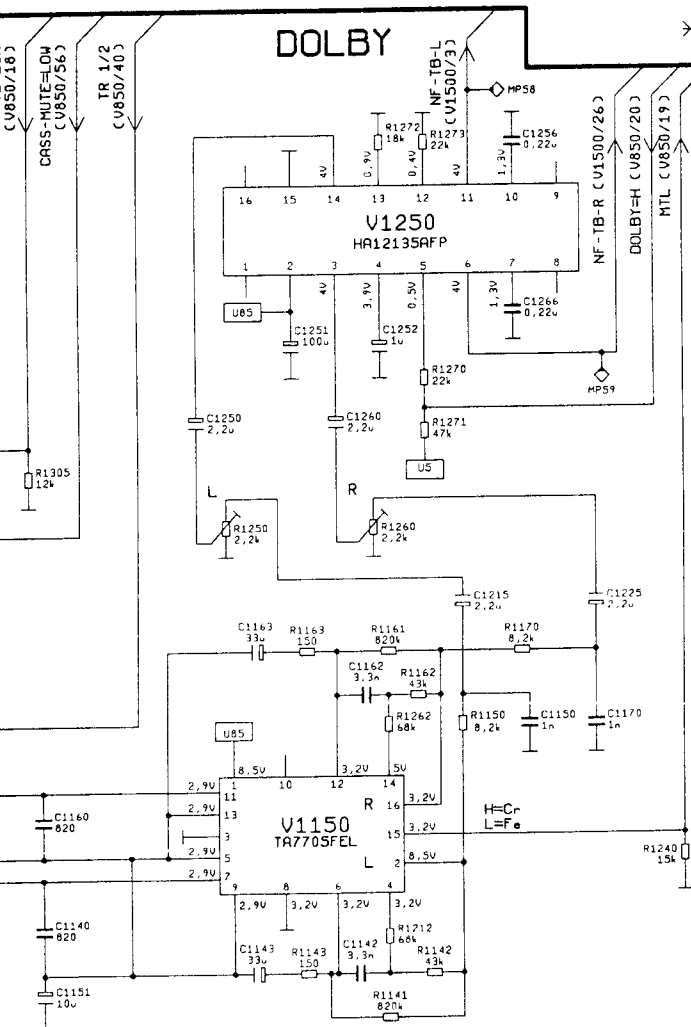
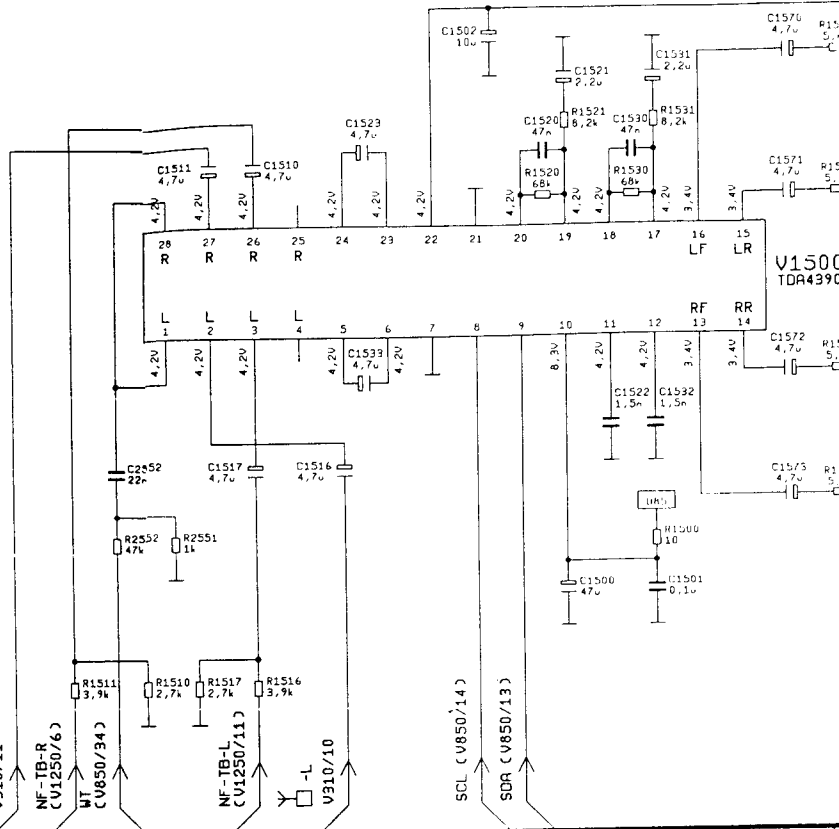
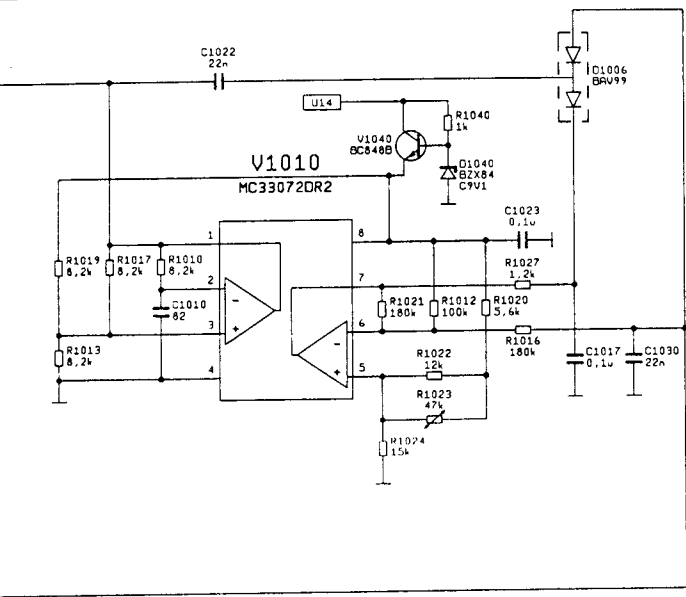


ZF-DEM  
IF-DEM

RDS-MUTE





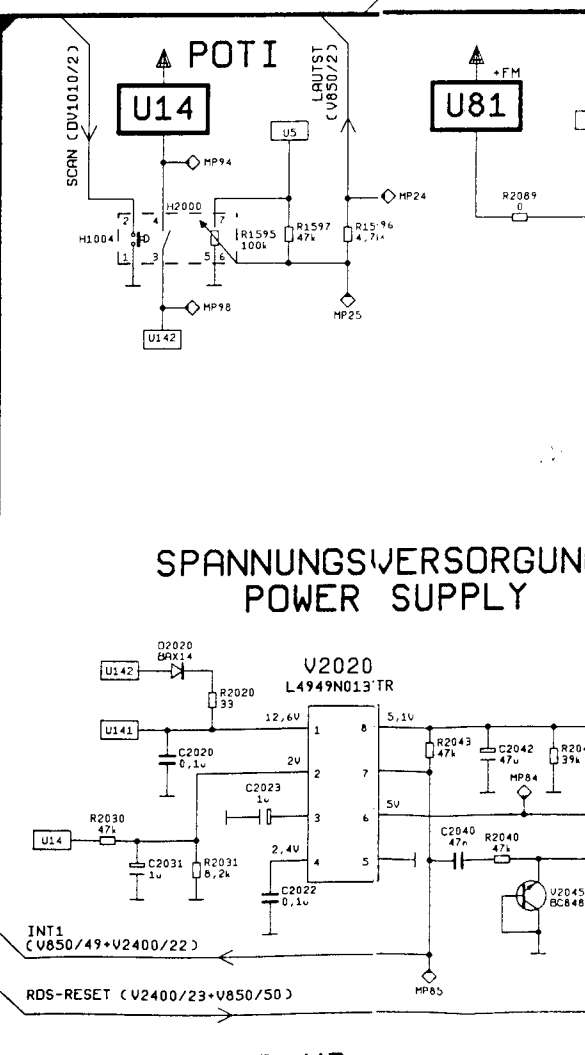
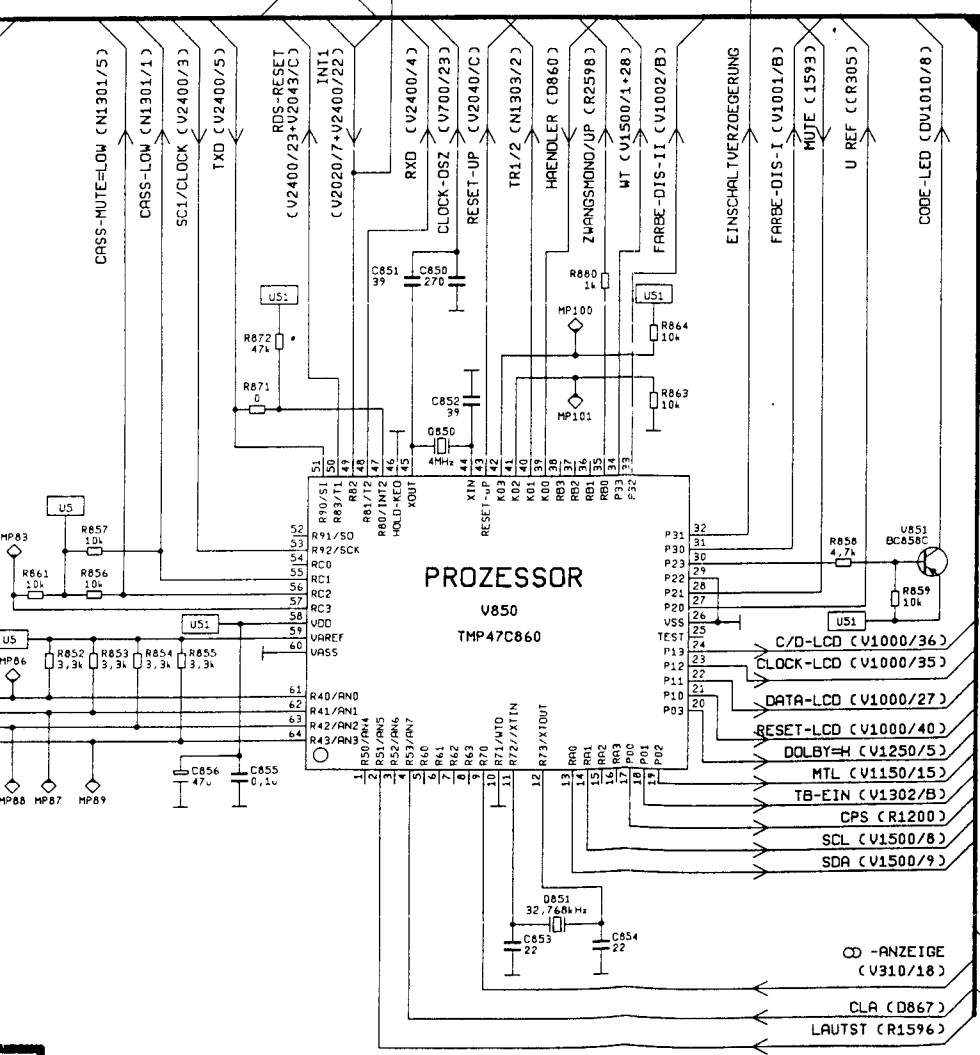
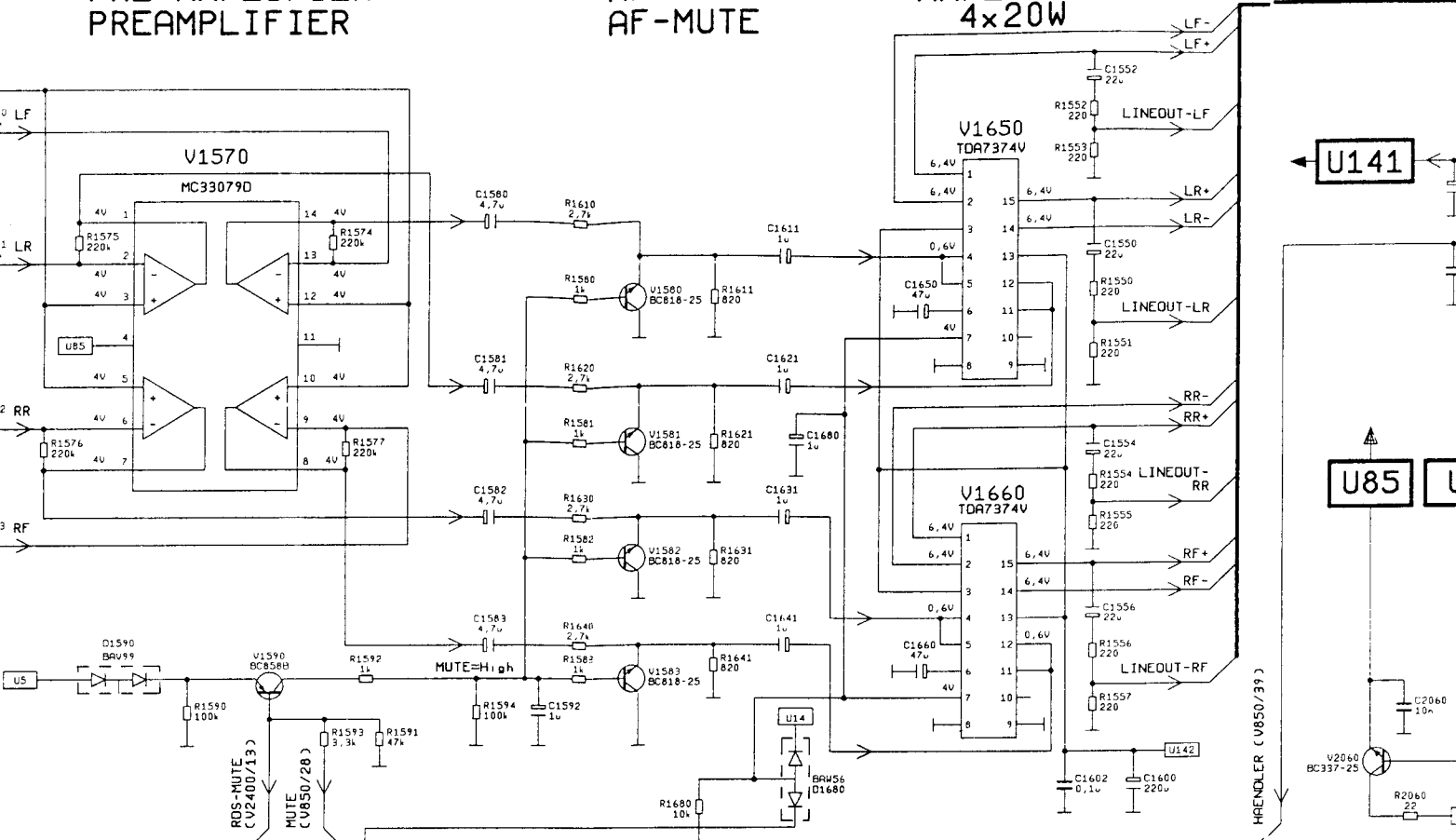


TB-VERSTAERKER  
TAPE-PREAMPLIFIER

PRE-AMPLIFIER  
PREAMPLIFIER

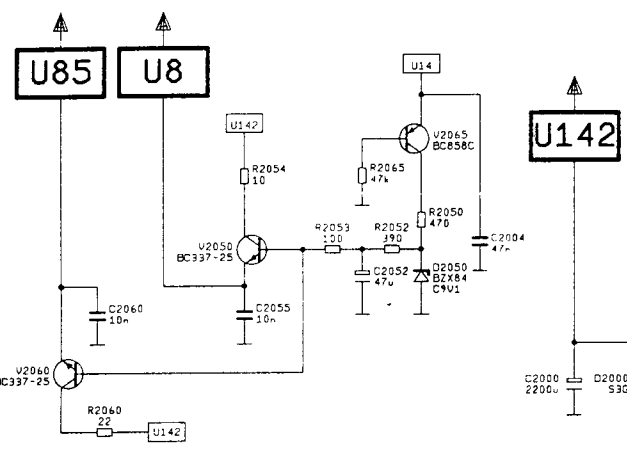
NF-MUTE  
AF-MUTE

VERSTÄRKER  
AMPLIFIER  
4x20W

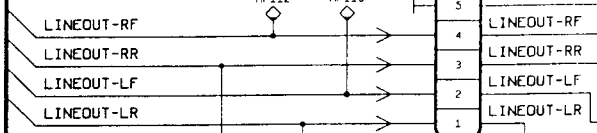


U141

### SPANNUNGSVERSORGUNG POWER SUPPLY

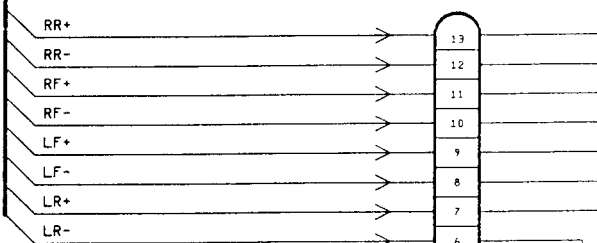


U142

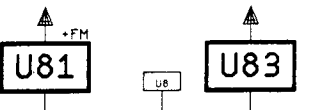


DV2010

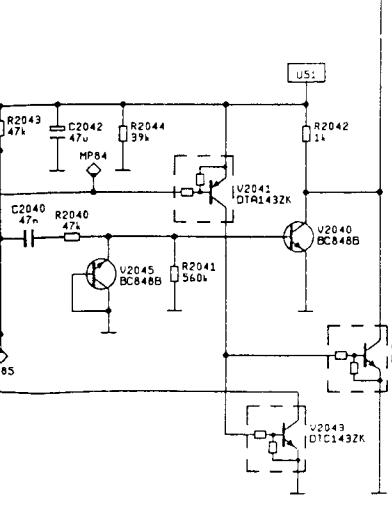
P/N2004



DV2000

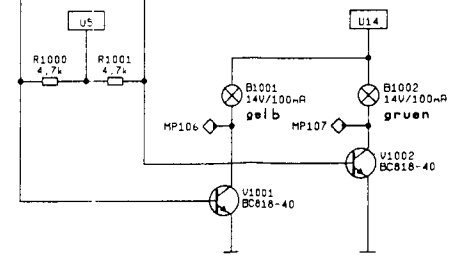


### SPANNUNGSVERSORGUNG POWER SUPPLY

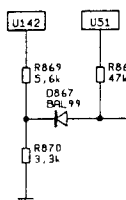
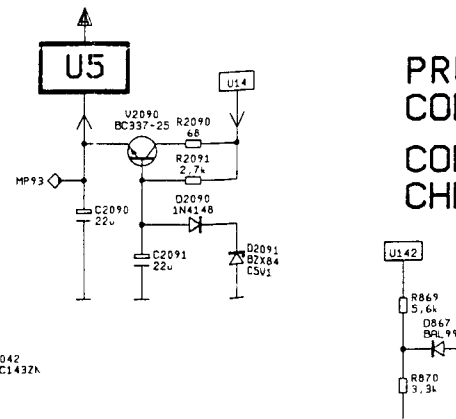


U5

### DISPLAY BELEUCHTUNG DISPLAY ILLUMINATION

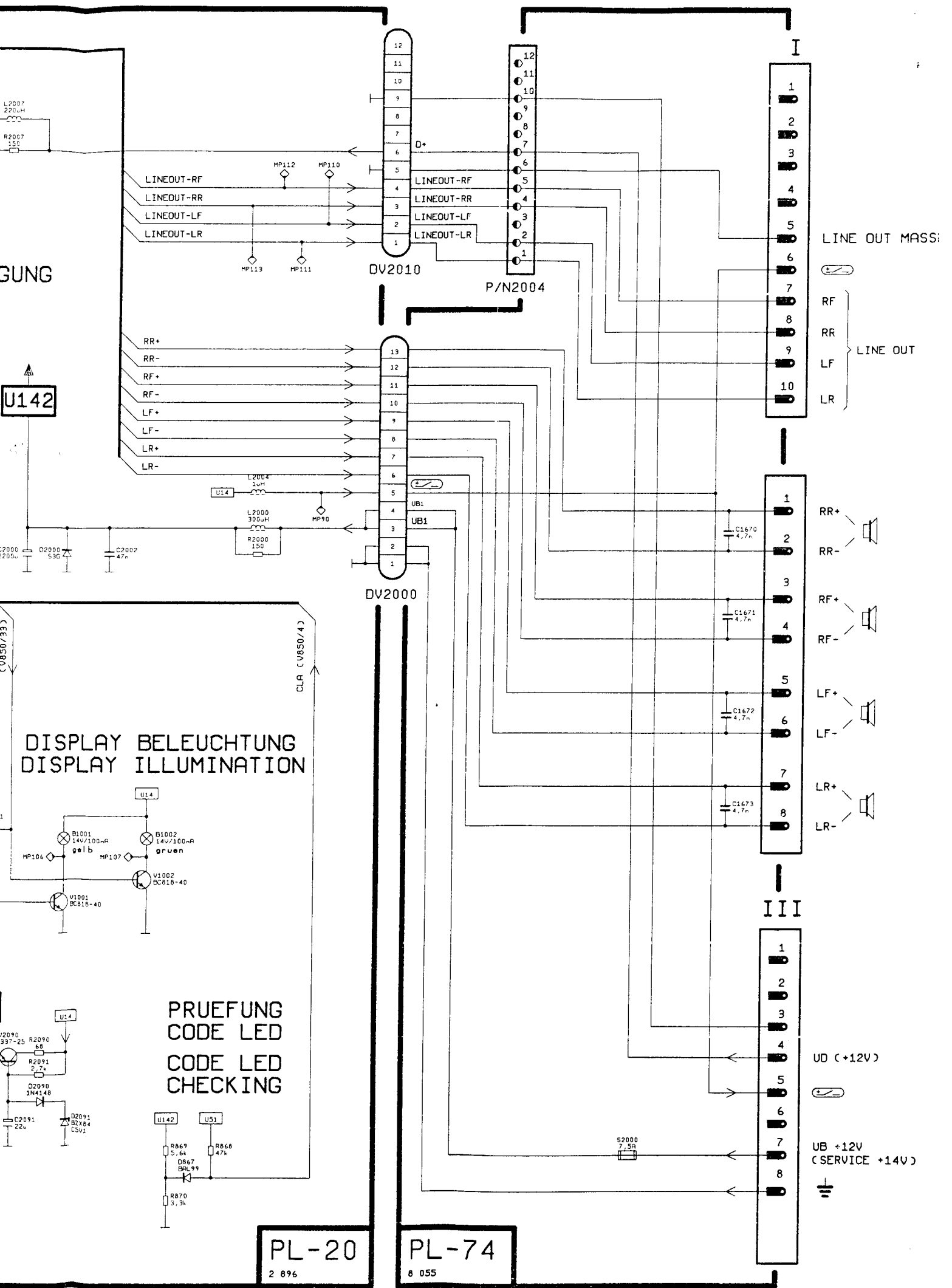


### PRUEFUNG CODE LED CODE LED CHECKING



PL-20  
2 896

PL-74  
8 055



BELEUCHTUNG

U142

DISPLAY BELEUCHTUNG  
DISPLAY ILLUMINATION

PRUEFUNG  
CODE LED  
CODE LED  
CHECKING

PL-20  
2 896

PL-74  
8 055

LINE OUT MASS

RF  
RR  
LF  
LR  
LINE OUT

RR+  
RR-  
RF+  
RF-  
LF+  
LF-  
LR+  
LR-

UD (+12V)

UB +12V  
(SERVICE +14V)